

Current transformers with converter

TCM 420

Current transformer for DIN rails with built-in converter



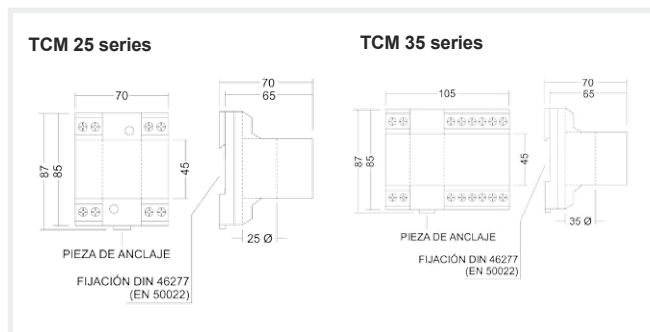
Description

- Built-in internal output power supply
- Needs an auxiliary power supply of 230 V ac
- Primary current: from 2.5 to 300 A ac, depending on the type
- Secondary current: 4..20 mA
- Internal diameter: from 25 to 35 mm, depending on the type
- Busbar dimensions: from 25 to 35 mm, depending on the type

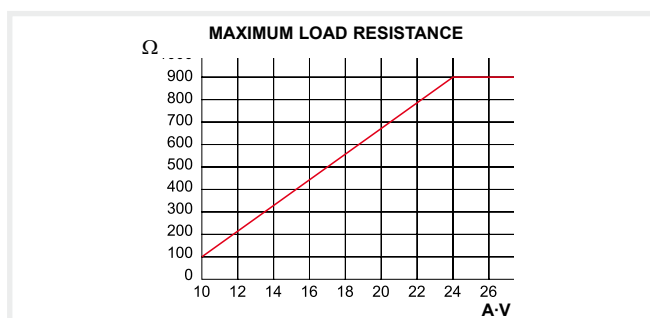
Application

Used in power lines to obtain a current proportional to the primary current rated at 4...20 mA in the secondary

Dimensions



Graph



Features

| | |
|---------------------------------|--|
| Frequency | 50 / 60 Hz |
| Highest current in the material | 0.72 kV ac |
| Overloads (at room temperature) | 1.5 I _n permanent |
| Accuracy class | ±1.5% I _n |
| Operating temperature | -10°...+50 °C |
| Standards | IEC 44-1, UNE 21 088-1, IEC 664, VDE0110, VDE0414, UL 94, IEC 1010-1, EN 61010-1 |

References

| Type | TCM -420 25 (*) | TCM -420 35 (*) |
|------------------------|---|-----------------|
| inner Ø (mm) Busbar | 25 | 35 |
| Dimensions (mm) | | |
| | a | 87 |
| | b | 70 |
| | c | 70 |
| A | internal power supply output 4...20 mA (230 V ac auxiliary power supply) | |
| | Code | Code |
| 2,5 | [*]M71041 | |
| 5 | [*]M71042 | |
| 10 | [*]M71043 | |
| 20 | [*]M71044 | |
| 50 | [*]M71045 | |
| 100 | [*]M71046 | [2]M71054 |
| 200 | [*]M71047 | [*]M71055 |
| 300 | | [2]M71056 |

For greater currents, use: transformer + converter