

## Current transformers

**TM 45**

Wound primary current transformer

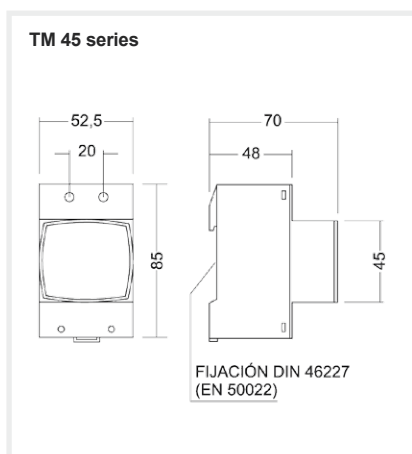
**Description**

- Types: from 5 to 40 A
- Wound primary
- Assembly on DIN rail
- Transformer certificate sheet is attached

**Application**

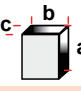
Converting a high nominal current to a lower current so that it can be measured by the unit.

In installations where the nominal current is not too high or a transformer has to be installed on the DIN rail.

**Dimensions****Features**

Frequency	50 / 60 Hz
Isolation voltage	3 kVac
Thermal short-circuit current, $I_{th}$	$60 I_n$
Dynamic current, $I_{dyn}$	$2.5 I_{th}$
Highest current in the material	0.72 kVac
Thermal class	A (105 °C)
Type of encapsulation	VO self-extinguishing plastic
Safety factor	$F_s < 5$
Secondary sealable terminals	Yes
<b>Standards</b>	
IEC 44-1, UNE 21 088-1, UL 94, VDE 0414	

**References**

Type	TM 45				
	Wound Primary				
Dimensions (mm)					
		a	b	c	
		85	52,5	70	
A	V-A	Class			Code
		0,5	1	3	
5/5	2,5	5	7	[*] M70601	
10/5	2,5	5	7	[*] M70602	
15/5	2,5	5	7	[*] M70603	
20/5	2,5	5	7	[*] M70604	
25/5	2,5	5	7	[*] M70605	
30/5	2,5	5	7	[*] M70606	
40/5	2,5	5	7	[*] M70607	
50/5	2,5	5	7	[*] M70608	

Current transformers

# TW 25

Entrance bar current transformer



Description

- Types: from 100 to 300 A
- Entrance bar
- Assembly for DIN rail

Application

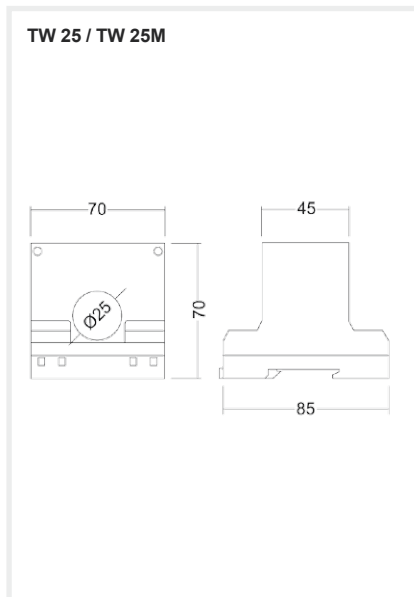
Converting a high nominal current to a lower current so that it can be measured by the unit.

In installations where the nominal current is not too high or a transformer has to be installed on the DIN rail.

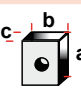
Features

Frequency	50 / 60 Hz
Isolation voltage	3 kVac
Thermal short-circuit current, $I_{th}$	$60 I_n$
Dynamic current, $I_{dyn}$	$2.5 I_{th}$
Highest current in the material	0.72 kVac
Thermal class	A (105 °C)
Type of encapsulation	VO self-extinguishing plastic
Safety factor	$F_s < 5$
Secondary sealable terminals	Yes
<b>Standards</b>	
	IEC 44-1, UNE 21 088-1, UL 94, VDE 0414

Dimensions



References

Type	TW 25 / TW 25M				
inner Ø (mm)	Bar entrance 25				
<b>Dimensions (mm)</b>					
	a	85			
	b	70			
	c	70			
A	V·A	Class			Code
		0,5	1	3	
100/5	-	1,5	3	[*] M70611	
125/5	-	2	4	[*] M70612	
150/5	-	3	5	[*] M70613	
200/5	3	5	8	[*] M70614	
250/5	4	9	11	[*] M70615	
300/5	6	11	13	[*] M70616	
100 / 125 / 150 / 200 / 250 / 300		Identical to TW 25			[*] M70621